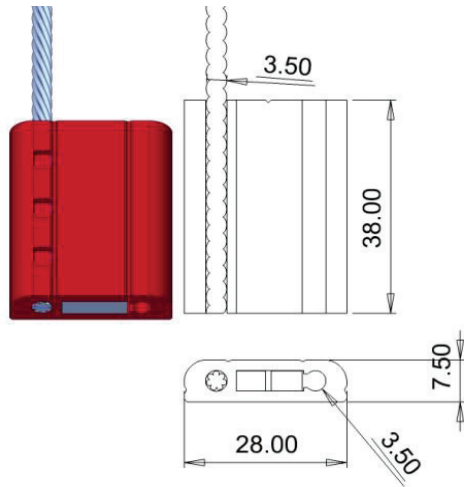


12 Inch Red Blank Pull Tight Galvanized Steel Cable Seal with 3.5mm wire - 50 Pack



- Applications:
 - Suitable for: Containers, Trucks, Tanks, Doors, etc.
- Material:
 - Aluminum alloy, free of plastic
- Specifications:
 - Cable: Galvanized steel wire, non-preformed
 - Cable Diameter: 1.8mm, standard length of 25cm
 - Lock Head Dimensions: 38mm x 28mm x 7.5mm
 - Locking Mechanism: Pull-tight
 - Removal: Requires bolt or cable cutters (eye protection necessary)
- Tensile Strength:
 - More than 11KN
- Printing Options:
 - Method: Laser printing
 - Customizations: Company name & logo, sequential numbering
 - Bar Code: Available upon request
- Available Colors:
 - Standard colors: Red, Yellow, Green, Blue, Black, Gold, etc.
 - Custom colors available upon request
- Packaging:
 - Quantity per Bag: 50 pcs

Color	Red
Length	12 Inch
Marking	Blank
Material	Galvanized Steel
Min Tensile Strength	2204 Lbs
Package Quantity	50

