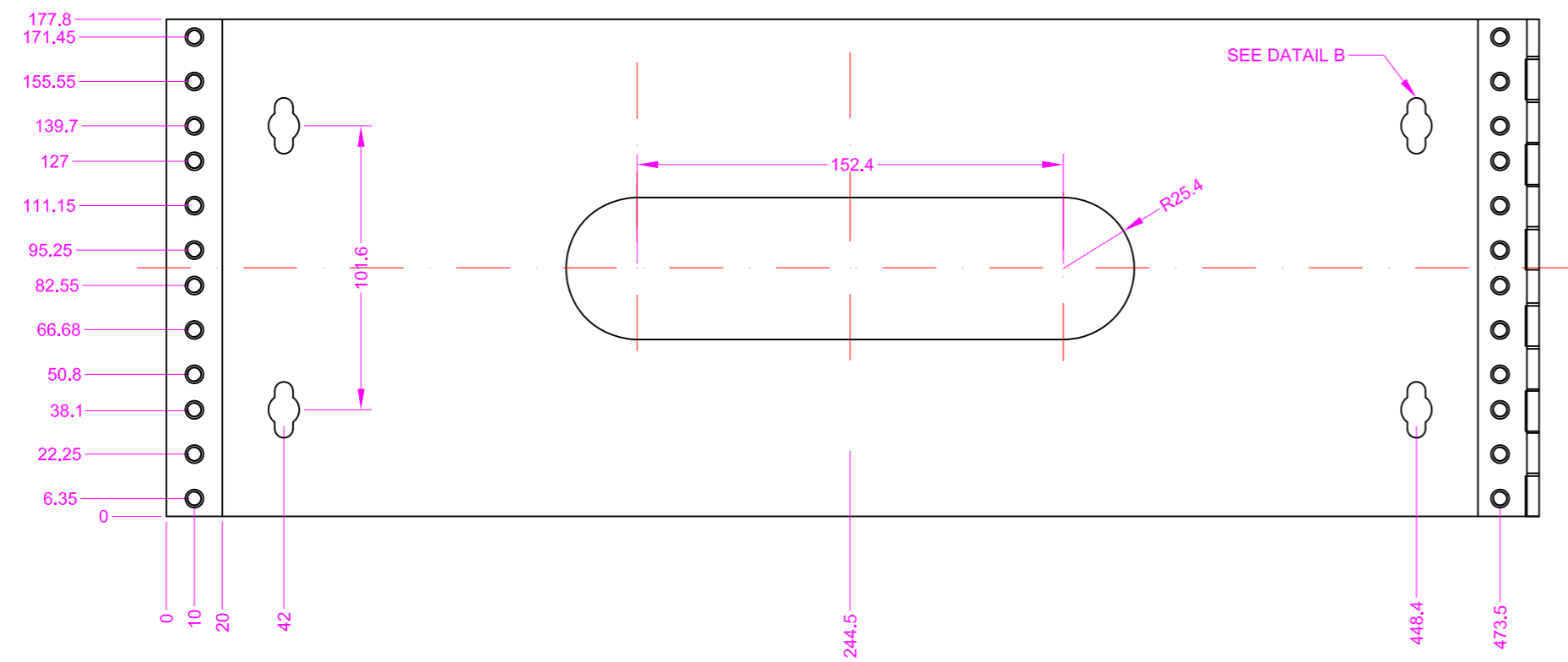
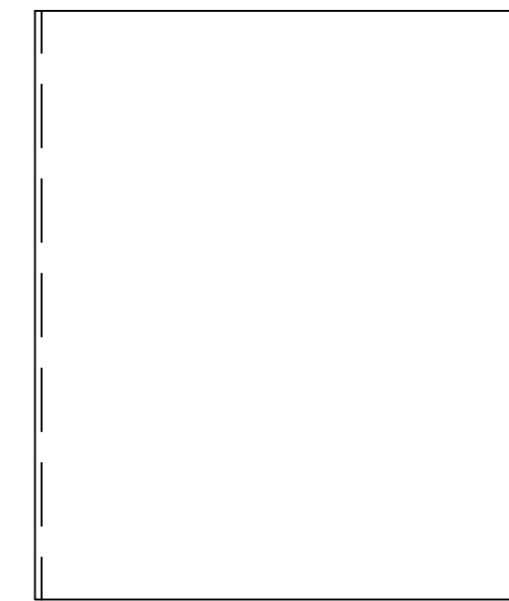


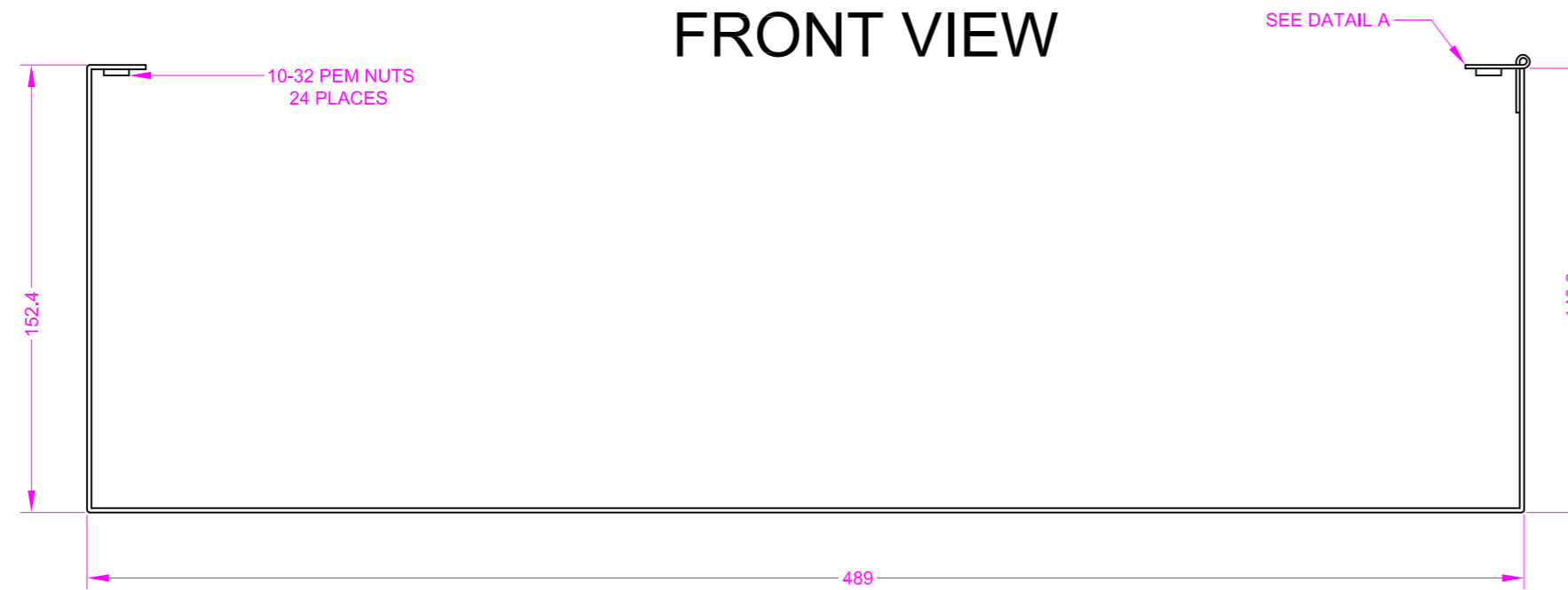
TOP VIEW



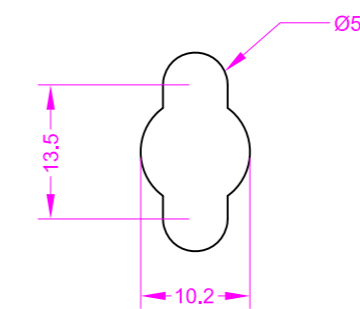
SIDE VIEW



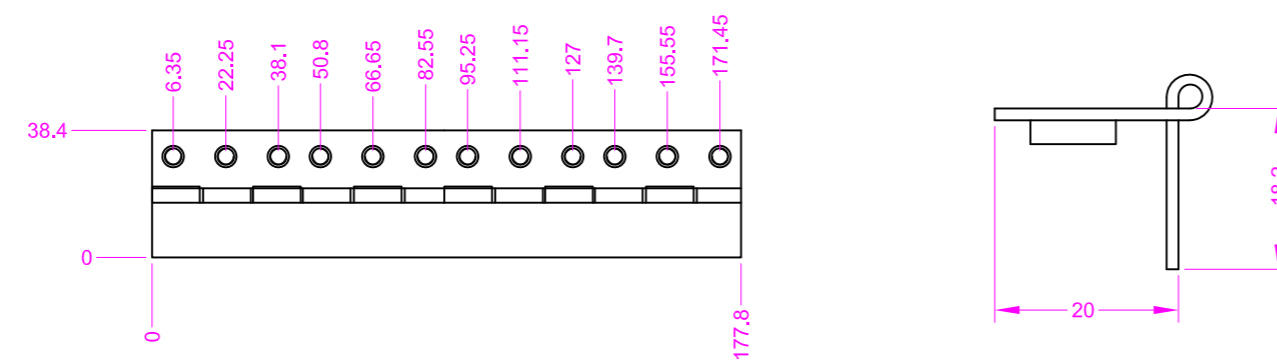
FRONT VIEW



SEE DATAIL B



SEE DATAIL A



Specification:

Material: 2.0mm/SPCC with black color painting
With 24 pcs black zinc nuts, 24 pcs 10-32 screws



DESIGNED			TITLE: 4U Hinged bracket, 7X19X6 (inch)	
CHECKED			P/N: WMB-4U	
APPROVAL			SCALE 1/1	SHEET 1/1
DWG NO		UNIT	MM	REV